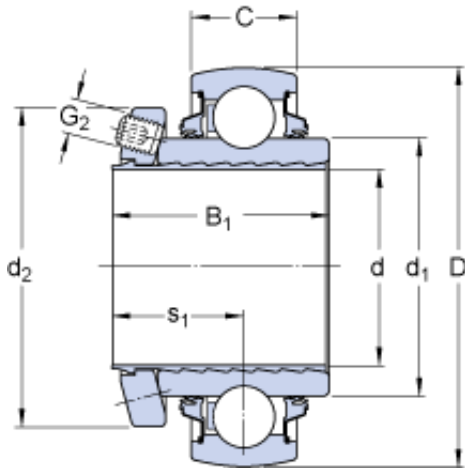




OMB Bearing Industry Trading Company ...



YSPAG 208-108 Bearing 2D drawings and 3D CAD models

SKF YSPAG 208-108 deep groove ball bearings

Bearing No. YSPAG 208-108

| | |
|--|-----------------|
| Size | 80x38.1x42.9 mm |
| Bore Diameter | 80 mm |
| Outer Diameter | 38,1 mm |
| Width | 42,9 mm |
| d | 38.1 mm |
| D | 80 mm |
| B ₁ | 42.9 mm |
| C | 21 mm |
| d ₁ | 51.8 mm |
| d ₂ | 62 mm |
| s ₁ | 25.9 mm |
| Basic dynamic load rating - C | 30.7 kN |
| Basic static load rating - C ₀ | 19 kN |
| Fatigue load limit - P _u | 0.8 kN |
| Limiting speed | 950 r/min |
| Calculation factor - f ₀ | 14 |
| Mass bearing | 0.58 kg |
| Thread - G ₂ | M6 |
| Hexagonal key size for grub screw - H | 3 mm |
| Recommended tightening torque for grub screw | 7.4 N · m |
| B ₁ | 43.1 mm |
| d ₁ | 51.8 mm |
| d ₂ | 62 mm |



OMB Bearing Industry Trading Company ...

| | |
|-------------------------------------|-----------|
| s_1 | 26.2 mm |
| Basic dynamic load rating C | 30.7 kN |
| Basic static load rating C_0 | 19 kN |
| Fatigue load limit P_u | 0.8 kN |
| Limiting speed ¹⁾ | 950 r/min |
| Calculation factor f_0 | 14 |
| Mass complete bearing | 0.61 kg |
| Thread grub screw G_2 | M6 |
| Hexagonal key size for grub screw N | 3.05 mm |
| Rubber seating ring | RIS 208 A |